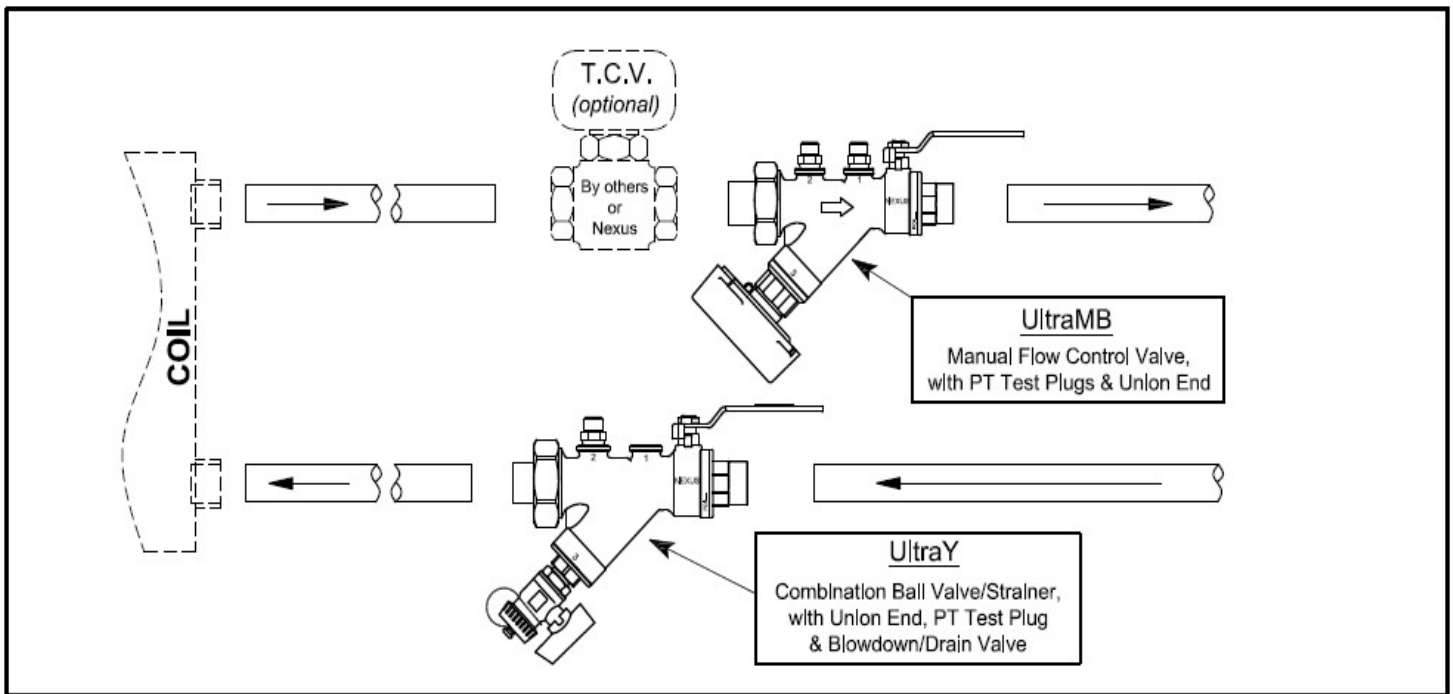




NEXUS

Flow of Innovation

Manual Flow Balancing Valve Coil Pak MY



PH: 905-821-9600

800-268-3900

Email: Sales@mentec.on.ca



We ship the heat in a world

INDUSTRIAL HEATING SOLUTIONS

FX4 SERIES



Explosion-Proof Electric Forced-Air Heaters

The FX4 series of liquid filled heaters is CSA certified or UL listed for use in hazardous locations where explosive gases or dusts are present. FX4 forced-air heaters are approved for Groups C, D, E, F, G, IIA, & IIB hazardous locations. The unique, liquid filled, evacuated core produces a faster temperature rise and a more even heat distribution. FX4 heaters are available in 62 models ranging from 3.0 to 35 kW and include a 3-year warranty. An optional built-in thermostat and disconnect switch are available to reduce installation costs.

CX1 SERIES



Explosion-Proof Electric Convection-Air Heaters

The CX1 ProVector® series of convection heaters are UL & cUL approved for Groups B, C, D, IIA, & (IIB + H₂) hazardous locations and are available in 45 models ranging from 1.2 to 7.6 kW. Other features include a small, sloped-top cabinet for better space utilization and improved safety, incoloy 840 heating elements for longer life and increased reliability, and a high-velocity airflow for faster warm-up time and better heat distribution. An optional built-in thermostat is also available, on select models, to reduce installation costs.

CR1 SERIES



Corrosion-Resistant Electric Unit Heater

RUFFNECK's CR1 Triton™ series of corrosion-resistant forced air unit heaters are suitable for non-hazardous highly corrosive, humid or dirty environments and can be used in hose-down applications. These units are UL Listed Type 4X and are available in models from 3kW to 39kW. Options include a manual reset high-limit, built in T'stat, door interlocking disconnect switch, pilot light, 3-position fan switch and Monel® elements.

Ruffneck Heaters also has a variety of European models available.



www.ruffneck.com

Toll Free: 1-800-661-8561



A LEADER in Advanced Heating Solutions



CCI Thermal
Technologies Inc.
www.win-with-CCI.com

Caloritech™ Engineered Electric Heat



- Strip & finned strip heaters for multiple applications
- Custom formed tubular and finned tubular electric elements
- Immersion heaters with North American & International certifications (CE / ATEX)
- Robust electric forced air heaters
- Engineered ASME circulation heaters to sections I, IV, VIII and section III, Class 1, 2, and 3 for nuclear applications

Other CCI Thermal Products

Heaters for the Harshes Environment



 **Ruffneck™**

Electric Explosion-Proof Heaters



 **Norseman™**

Explosion-Proof Gas Catalytic Heaters



 **Cata-Dyne™**

Curing Solutions



 **DriQuik™**

 **CCI Thermal**
Technologies Inc.



Respond for Exciting Program Details - & Win!
see reverse or visit www.win-with-CCI.com