

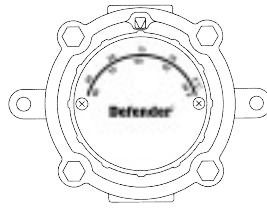
# Accessories



## RUFFNECK®

### Heavy Duty Line Voltage Thermostat

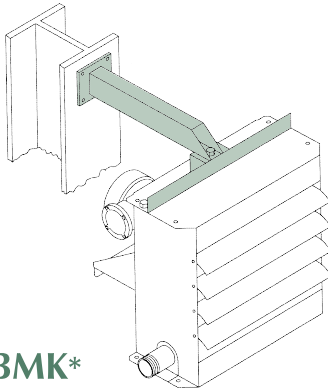
Temperature range:  
(5 - 25°C/40-80°F)  
22 Amps res., 277 VAC  
MAX  
3/4 HP @ 125 VAC  
1-1/2 HP @ 250/277 VAC  
ET5-S (Heating Only)



## Defender®

### Hazardous Location Thermostat

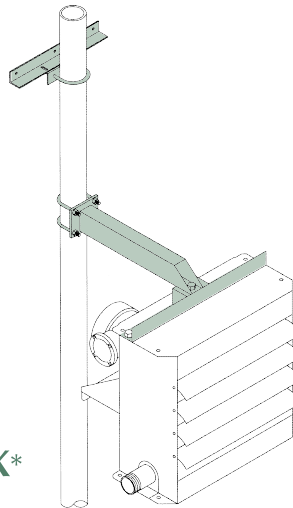
Class I, Groups C & D; Class II, Groups E, F, & G; Class III; Class I, Zones 1 & 2, Groups IIA & IIB  
Temperature range: (2-28°C/36-82°F)  
22 Amps Res., 480 VAC MAX  
1/2 HP @ 125VAC; 1HP @ 250 VAC  
XT-211 (Feed-thru, Heating Only)  
XT-212 (Feed-thru, Heating or Cooling)



## BMK\*

### Basic Mounting Kit

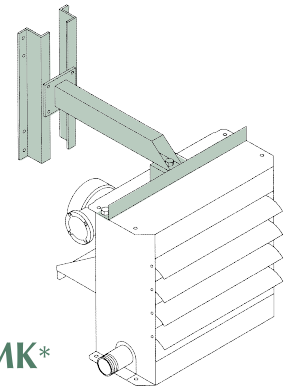
The BMK is suitable for applications where the support arm can be bolted or welded directly to structural steel or concrete.



## PMK\*

### Pipe Mounting Kit

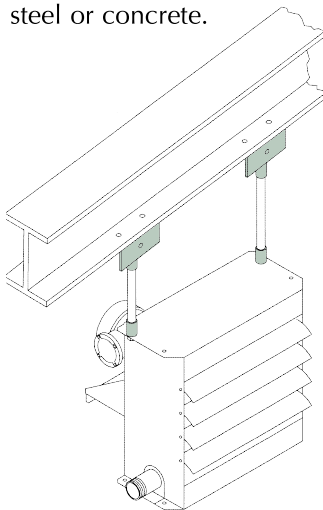
Particularly useful in buildings with insufficient strength to use other types of mounts. Requires 3" pipe (3 1/2" O.D.) (not supplied).



## WMK\*

### Wall Mounting Kit

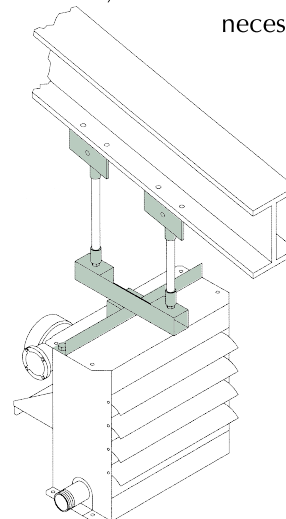
Ideal for use in buildings that have substantial walls. The Z sections provide additional support where necessary.



## HMK

### Hanging Mounting Kit

Simple and economical if adequate overhead structure exists. Requires 1/2" pipe, cut and threaded (not supplied).



## SHMK\*

### Swivel Hanging Mounting Kit

Swivels 360°. Requires 1/2" pipe, cut and threaded (not supplied).

\* Not suitable for AH-24A-C1 models or Tandem series (24B fan configuration)

### How to Order Mounting Kits:

When ordering mounting kits, specify the type of kit required and the basic model of the heater to be mounted, e.g. WMK-AH-12A-A1. **Ask our Sales Department for details. Literature available.**

**Note:** Mounting kits are made of steel with a wet applied enamel paint.

If the heater is installed on a structure that is to be transported, provide additional support for heater during transit.