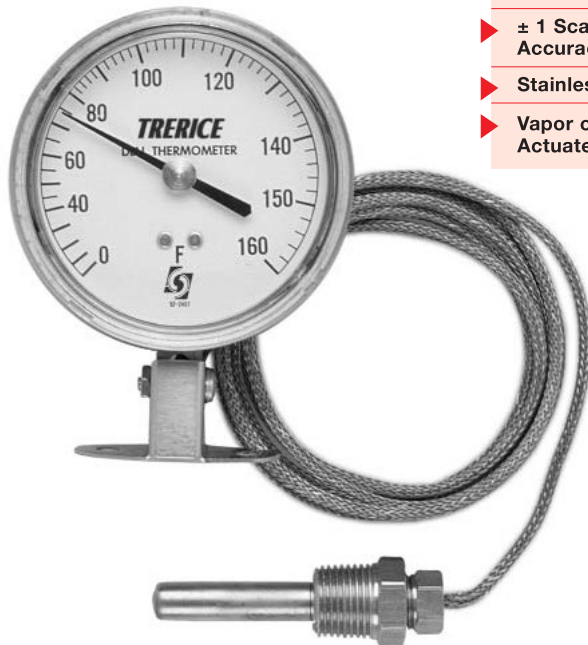


Remote Mounted Dial Thermometer

3 1/2" Stainless Steel Case

DIAL THERMOMETERS



V80025 shown

The Trerice **Remote Mounted Dial Thermometer** is used extensively in the building and construction industry and is the preferred temperature instrument for OEMs worldwide. The stainless steel case is available in many styles for panel and surface mounting. This instrument has a 3 1/2" dial size and is available with either vapor or liquid actuation.

- Optional features available: Please consult the Optional Features Section for details.

Thermowell

- For applications where the process media may be corrosive or contained under pressure, the use of a thermowell is required to prevent damage to the thermometer and facilitate its removal from the process.

(Refer to page 154)

- ▶ 3 1/2" Dial Size
- ▶ ± 1 Scale Division Accuracy
- ▶ Stainless Steel Case
- ▶ Vapor or Liquid Actuated

Specifications

Models	Dial Size	Case Styles
80025	3 1/2"	Adjustable Angle, with mounting bracket
80035	3 1/2"	Surface Mounted, back flanged, with bottom outlet
80036	3 1/2"	Surface Mounted, back flanged with back outlet
80040	3 1/2"	Flush Mounted, front flanged, with back outlet
80041	3 1/2"	Flush Mounted, u-clamp with back outlet

Movement Brass

Case Material Stainless Steel

Window Acrylic, snap-in with Nitrile O-ring seal

Pointer Adjustable, black finish

Dialface Aluminum, white background with black graduations and markings

Accuracy ±1 scale division

Approximate Shipping Weight 1.3 lbs [0.59 kg]

HOW TO ORDER

Sample Order Number: **V 80035 110 B01 05**

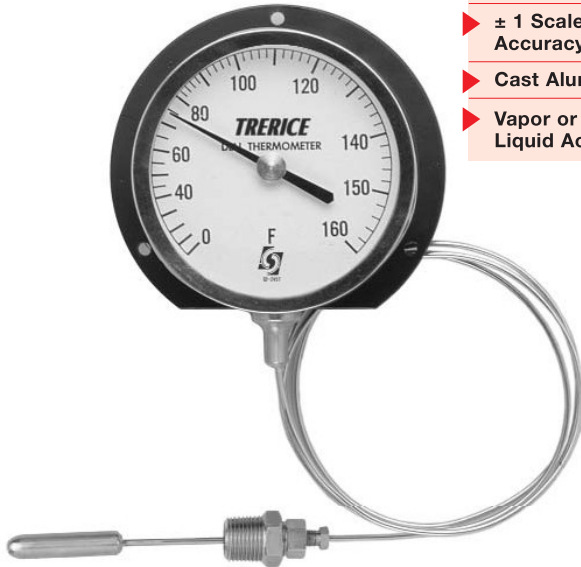
Actuation	Model	Range Code	Thermal System	Capillary Length*
V Vapor	80025	See Standard Ranges	See Thermal Selection (pages 112-113)	05 5 Feet
L Liquid	80035			10 10 Feet
	80036			15 15 Feet
	80040			20 20 Feet
	80041			

* Other Capillary lengths available: Specify in feet. Vapor: 100 Feet Max
Liquid: 20 Feet Max

Remote Mounted Dial Thermometer

4 1/2" • 6" • 8 1/2" Cast Aluminum Case

DIAL THERMOMETERS



- ▶ 4 1/2", 6", 8 1/2" Dial Sizes
- ▶ ± 1 Scale Division Accuracy
- ▶ Cast Aluminum Case
- ▶ Vapor or Liquid Actuated

V80341 shown

This Trerice **Remote-Mounted Dial Thermometer** is furnished with a rugged cast aluminum case in 4 1/2", 6" and 8 1/2" dial sizes. This instrument is designed for a wide variety of industrial applications, and is available with vapor or liquid actuation.




- Optional features available: Please consult the Optional Features Section for details.

Thermowell

- For applications where the process media may be corrosive or contained under pressure, the use of a thermowell is required to prevent damage to the thermometer and facilitate its removal from the process.

(Refer to page 154)

Specifications

Models	Dial Sizes	Case Styles
80341 80361 80381	4 1/2" 6" 8 1/2"	 Surface Mounted, back flanged, with bottom outlet
80342 80362 80382	4 1/2" 6" 8 1/2"	 Surface Mounted, back flanged, with back outlet
80345 80365	4 1/2" 6"	 Flush Mounted, hinged ring, with back outlet

Movement Brass

Case Material

Cast Aluminum, black finish

Window

Clear glass

Ring

Friction type, 304 stainless steel (hinged type, black finished aluminum; 80345, 80365 only)

Pointer

Adjustable, black finish

Dialface

Aluminum, white background with black graduations and markings

Accuracy

±1 scale division

Approximate Shipping Weight

4 1/2" Dial: 2.4 lbs [1.09 kg]
6" Dial: 3.0 lbs [1.36 kg]
8 1/2" Dial: 4.0 lbs [1.82 kg]

HOW TO ORDER

Sample Order Number: **V 80341 050 B02 20**

Actuation	Model	Range Code	Thermal System	Capillary Length*
V Vapor	80341 4 1/2"	See Standard Ranges	See Thermal System Selection (pages 112-113)	05 5 Feet
L Liquid	80361 6"			10 10 Feet
	80381 8 1/2"			15 15 Feet
				20 20 Feet
	80342 4 1/2"			
	80362 6"			
	80382 8 1/2"			
	80345 4 1/2"			
	80365 6"			

* Other Capillary lengths available: Specify in feet. Vapor: 100 Feet Max
Liquid: 20 Feet Max

Direct Mounted Dial Thermometer

4 1/2" & 6" Cast Aluminum Case • Universal Angle

DIAL THERMOMETERS



W80742 shown

The Trerice **Universal Angle Dial Thermometer** is available in 4 1/2" and 6" dial sizes with a rugged cast aluminum case. After the sensing bulb has been installed, the case may be adjusted 180° front to back, and rotated 360° for maximum readability. This instrument is available with vapor or liquid actuation.

- Optional features available: Please consult the Optional Features Section for details.

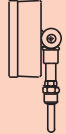
Thermowell

- For applications where the process media may be corrosive or contained under pressure, the use of a thermowell is required to prevent damage to the thermometer and facilitate its removal from the process.

(Refer to page 154)

- ▶ 4 1/2", 6" Dial Sizes
- ▶ ± 1 Scale Division Accuracy
- ▶ Cast Aluminum Case
- ▶ Vapor or Liquid Actuated

Specifications

Models	Dial Sizes	Case Style
80742	4 1/2"	 Universal Angle
80762	6"	

Movement Brass

Case Material
Cast Aluminum, black finish

Window Clear glass

Ring Friction type, stainless steel

Pointer Adjustable, black finish

Dialface Aluminum, white background with black graduations and markings

Accuracy ±1 scale division

Approximate Shipping Weight

80742: 2.0 lbs [0.91 kg]
80762: 2.4 lbs [1.09 kg]

HOW TO ORDER

Sample Order Number: **L 80742 110 B35**

Actuation	Model	Range Code	Thermal System
V Vapor	80742	See Standard Ranges	See Thermal System Selection (pages 112-113)
L Liquid	80762		

Direct Mounted Dial Thermometer

3 1/2" Stainless Steel Case & 4 1/2" Cast Aluminum Case • Adjustable Angle

DIAL THERMOMETERS



V80445 shown

- ▶ 3 1/2", 4 1/2" Dial Sizes
- ▶ ± 1 Scale Division Accuracy
- ▶ Stainless Steel or Cast Aluminum Case
- ▶ Vapor or Liquid Actuated

The Terrice **Adjustable Angle Dial Thermometer** is intended for use within the construction and HVAC industries. Once the sensing bulb has been installed, the angle of the dial-face may be adjusted forward and backward to provide maximum readability. This instrument is available in 3 1/2" and 4 1/2" dial sizes with a flangeless, stainless steel or cast aluminum case.



- Optional features available: Please consult the Optional Features Section for details.

Thermowell

- For applications where the process media may be corrosive or contained under pressure, the use of a thermowell is required to prevent damage to the thermometer and facilitate its removal from the process.

(Refer to page 154)

Specifications

Models	Dial Sizes	Case Styles
80030	3 1/2"	Adjustable Angle 
80445 (Vapor Only)	4 1/2"	Adjustable Angle 
Movement Brass		
Case Material 80030: Stainless steel 80445: Cast aluminum, black finish		
Window 80030: Acrylic, snap-in with Nitrile O-ring seal 80445: Clear glass		
Ring 80030: None 80445: Friction-type, stainless steel		
Pointer Adjustable, black finish		
Dialface Aluminum, white background with black graduations and markings		
Accuracy ±1 scale division		
Approximate Shipping Weight 80030: 1.3 lbs [0.59 kg] 80445: 1.4 lbs [0.64 kg]		

HOW TO ORDER

Sample Order Number: **V 80445 110 B31**

Actuation	Model	Specific Range	Thermal System
V Vapor	80030	See Standard Ranges	See Thermal System Selection (pages 112-113)
L Liquid	80445 (vapor only)		

